



SPECIFICATION SHEET

24" FREESTANDING VANITY CABINET

DMV2401



VANITY FEATURES

- Designed & Made in Canada
- Premium Select Canadian Maple & Birch Solid Wood and Plywood
- BLUM® European style six-way soft close 110-degree door hinges.
- RICHELIEU® Full Extension concealed soft-close undermount slides.
- Match finished interior cabinet
- Edge-banded drawer with lacquer maple finish
- Handles sold separately and not pre-drilled for design convenience
- 1 Door, 1 Drawer

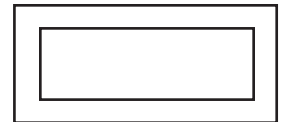
DM BATH 2-YEAR LIMITED WARRANTY

For warranty details visit www.dmbath.com

DOOR STYLE OPTIONS



SLAB PANEL (SL)



2" SHAKER PANEL (SH)

WOOD FINISH OPTIONS

For full colour options visit www.dmbath.com

RELATED PRODUCTS Sold Separately

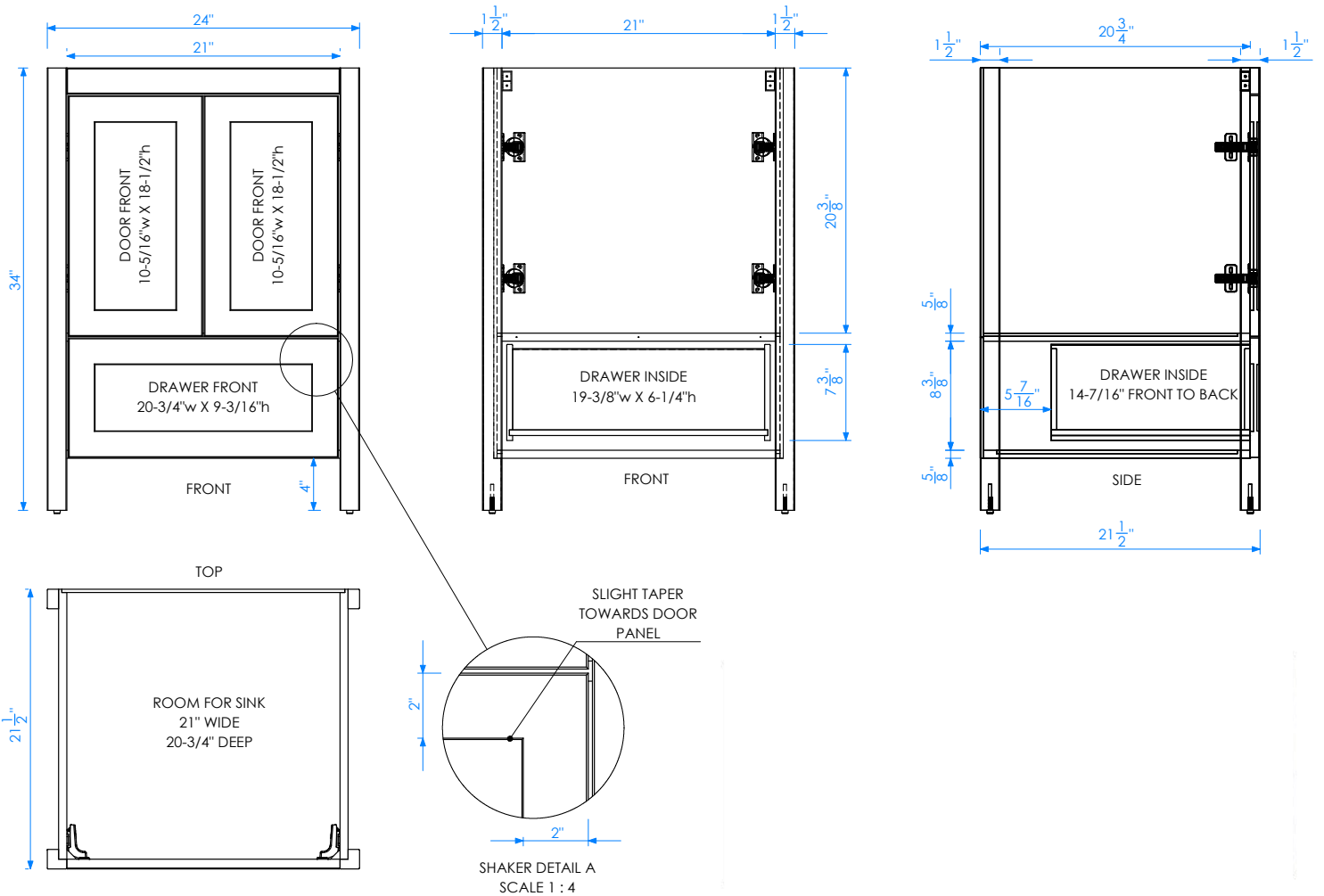
DMT25	25" Standard Quartz Countertop
DMT25P	25" Premium Quartz Countertop
DMB25	25" Quartz Backsplash
DMB21	21 1/4" Quartz Sidesplash
DCT25	25" Maddox Integral Sink
DMM24	24" Mirror with Solid Wood Frame
MRG20	20 7/16" Frameless Bevel Edge Mirror
FK24	24" Kickplate Set
FS	Filler Strip

SPECIFICATION VARIANCE

Our products are constructed to maintain close dimensional tolerances that may vary slightly during the manufacturing of materials; normally +/- 1/8", occasionally more. In most cases, this slight variation does not affect installation, appearance or function. We recommend that you measure the actual cabinet before you frame, design or finish the space for your vanity. We can not be held responsible by the end user if this guideline is not followed. We reserve the right to make revisions without prior notice to product specifications.



SPECIFICATION SHEET
24" FREESTANDING VANITY CABINET
DMV2401

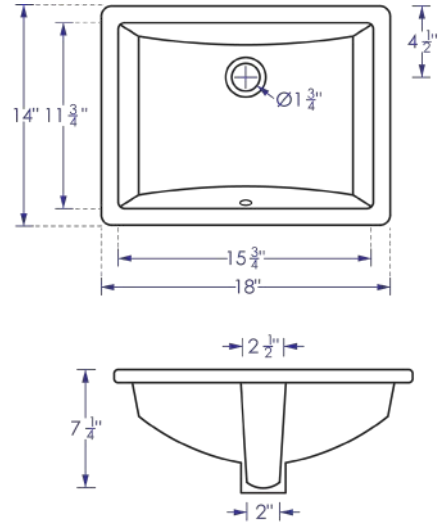
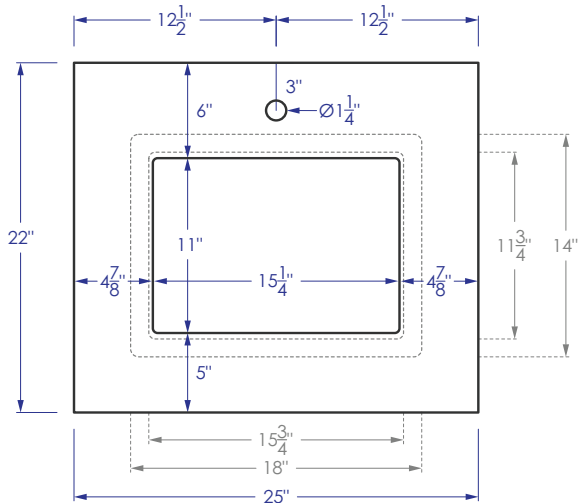


IMPORTANT NOTE Please install product according to installation instructions.

QUICK SPECIFICATION LOOKUP FREQUENTLY BOUGHT TOGETHER

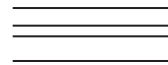
25" QUARTZ COUNTERTOP DMT25 STANDARD / DMTP25 PREMIUM

UNDERMOUNT SINK CUT
INCLUDES 18" OXFORD UNDERMOUNT SINK (DMS01W)



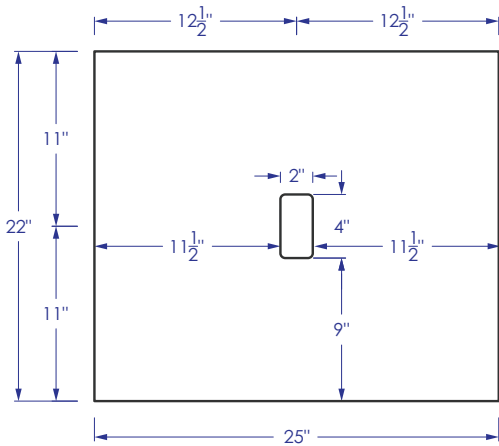
VESSEL SINK CUT
NO DRILL HOLE OR VESSEL SINK CUT INCLUDED

SIDE PROFILE VIEW



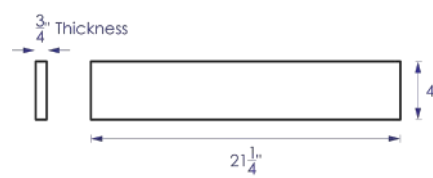
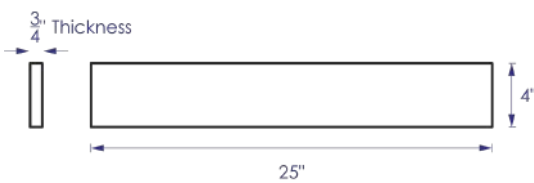
0.75" STANDARD; EASED EDGE PROFILE
1.5" PREMIUM; CHOICE OF EDGE PROFILE

For Premium Edge Profile Options visit www.dmbath.com.



25" QUARTZ BACKSPLASH DMB25

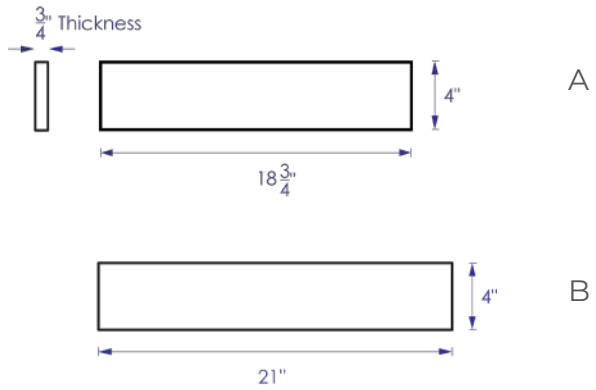
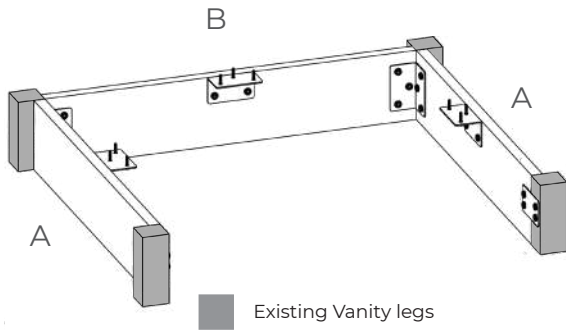
21.25" QUARTZ SIDESPLASH DMB21



QUICK SPECIFICATION LOOKUP FREQUENTLY BOUGHT TOGETHER

24" KICKPLATE SET FK24

Kickplate Set includes one front panel (B) and two side panels (A). Used to fill the gap between the floor and vanity, installed recessed to enable your feet to rest comfortably and allow you to get closer to the countertop.



FILLER STRIP FS

Filler Strip fills the gap between the side of your vanity cabinet and the wall. Fillers are normally cut to your required size by your professional installer.

